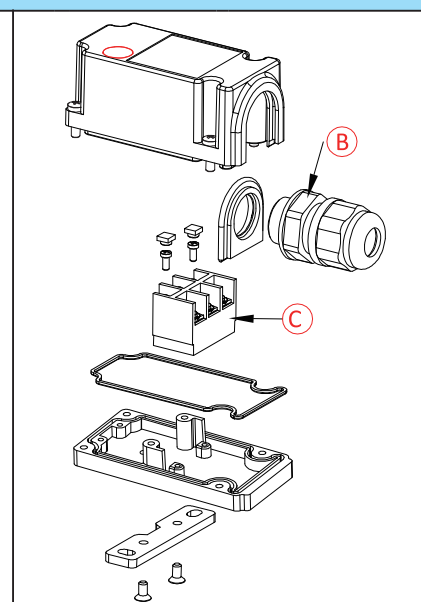
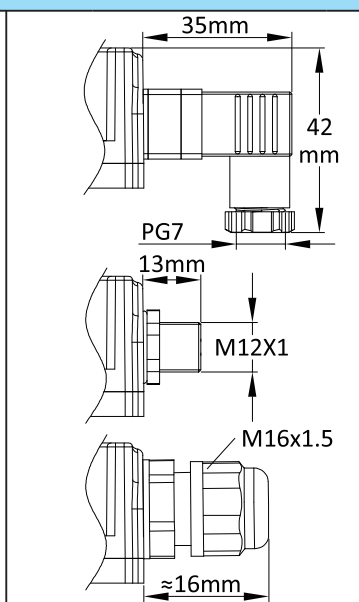
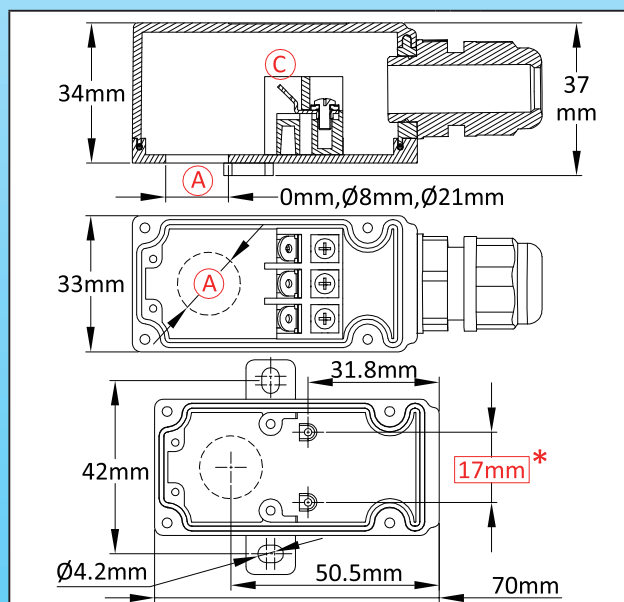
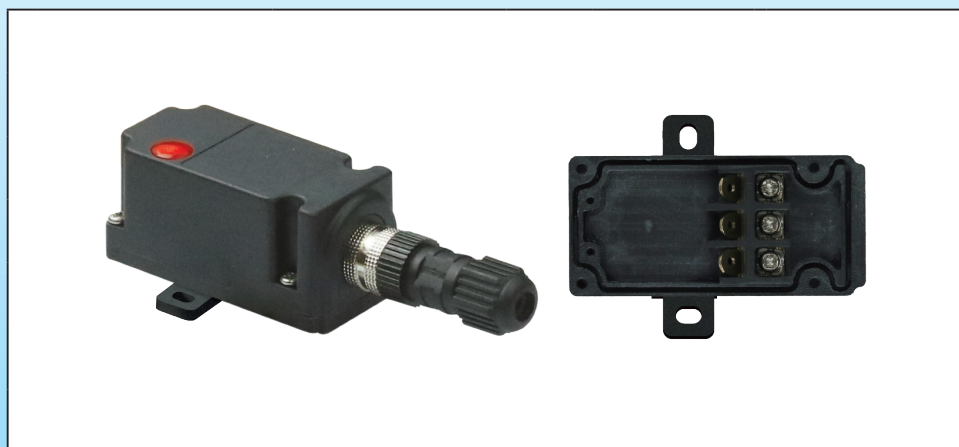


Sub-miniature enclosure for temperature sensor, level sensor, electronic printed circuit or cartridge heater, Removable wall mounting bracket

Size(mm)	Volume(cm ³)	Material	Protection grade		Model
70 x 33 x 33	72	PA66	IPX4	IK8	Y3A2

Suitable for
<input checked="" type="checkbox"/> Temperature sensor
<input type="checkbox"/> Immersion heater
<input type="checkbox"/> Finned heater
<input type="checkbox"/> Thermostat
<input checked="" type="checkbox"/> Level sensor
<input checked="" type="checkbox"/> Electronic board



Main references

A (mm)	B1	B2	B3	With connection block (C)	Without connection block (C)
0	√	×	×	Y3A200001E1F100T	Y3A200001E10000T
0	×	√	×	Y3A200001E3F100T	Y3A200001E30000T
0	×	×	√	Y3A200001E6F100T	Y3A200001E60000T
8	√	×	×	Y3A208001E1F100T	Y3A208001E10000T
8	×	√	×	Y3A208001E3F100T	Y3A208001E30000T
8	×	×	√	Y3A208001E6F100T	Y3A208001E60000T
21	√	×	×	Y3A221001E1F100T	Y3A221001E10000T
21	×	√	×	Y3A221001E3F100T	Y3A221001E30000T
21	×	×	√	Y3A221001E6F100T	Y3A221001E60000T

Links

Page
(.pdf)

Drawing 2D
(.dwg)

Drawing 3D
(.stp)

Others drilling diameters on request.

Red dimensions inside rectangular frames on drawings are used for accessories assembly.

